

Leemac

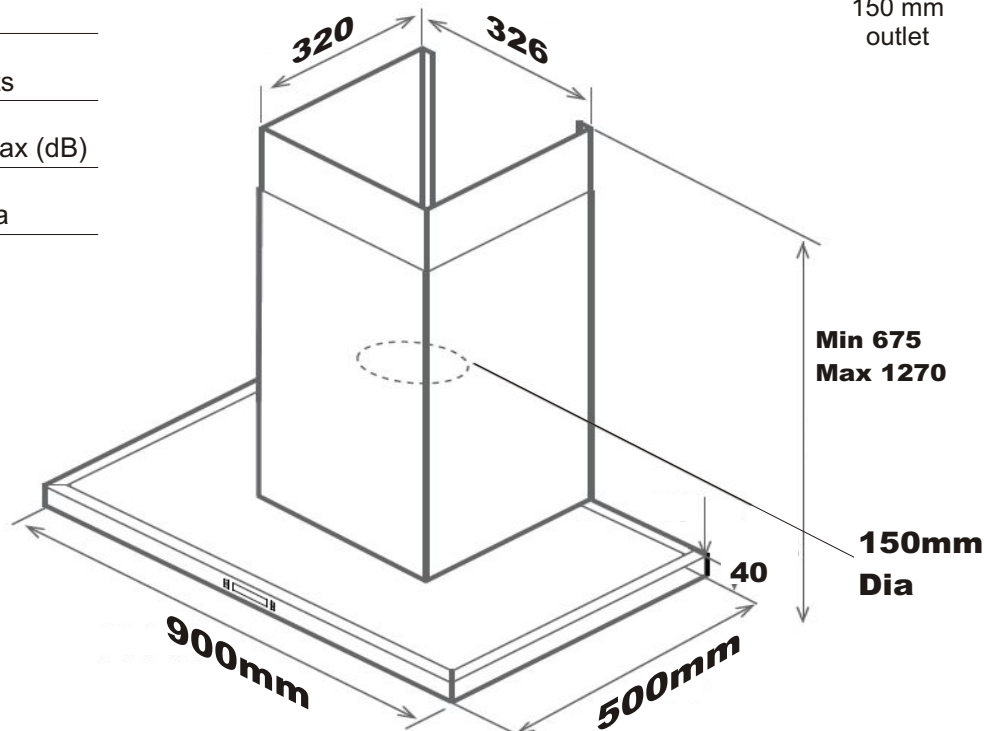


MODEL : CH-VORTEX

SPECIFICATIONS

SPEED	3
AIRFLOW	900 m ³ /h
MOTOR ABSORPTION	290 Watts
LIGHTS HALOGEN	2 X 20 Watts
NOISE LEVEL	35 min 50 max (dB)
DUCT SIZE	150 mm Dia

- * Stainless Steel
- * Aluminium Cylindrical filter (Dishwasher Safe)
- * TwinHalogen Lights
- * Drop out Motor
- * 900 mm wide only



PH - 02 9674 9955
FAX - 02 9674 9055
Email-pezooffice@leemac.com.au Web-www.leemac.com.au

LEEMAC APPLIANCES
U28 / 14 - 16 STANTON ROAD
SEVEN HILLS NSW 2147
AUSTRALIA