

# Leemac

## MODEL : RH02-520 SERIES

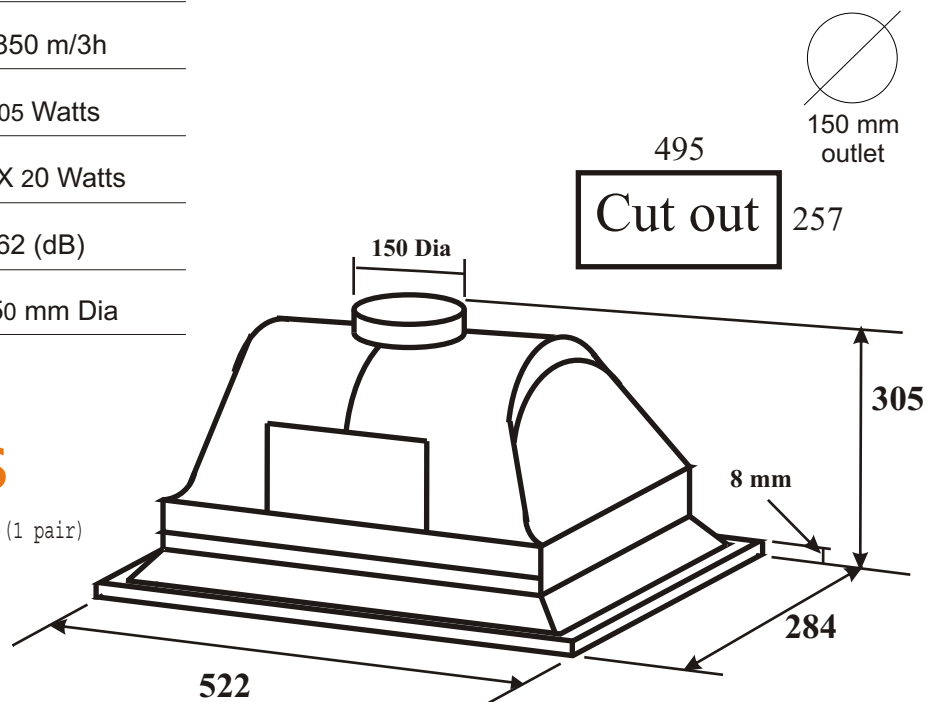
### SPECIFICATIONS

MOTORS	1
SPEED	3
AIRFLOW	850 m <sup>3</sup> /h
MOTOR ABSORPTION	205 Watts
LIGHTS HALOGEN	2 X 20 Watts
NOISE LEVEL	62 (dB)
DUCT SIZE	150 mm Dia

- \* Stainless Steel
- \* Aluminium filters (Dishwasher Safe)
- \* Twin Halogen Lights
- \* Turbo Motor
- \* 522 mm wide Recessed Hood

### ACCESSORIES

- Carbon Filters F-C 18(1 pair)



LEEMAC APPLIANCES  
 U28 / 14 - 16 STANTON ROAD  
 SEVEN HILLS NSW 2147  
 AUSTRALIA  
 PH - 02 9674 9955  
 FAX - 02 9674 9055

**RH 02-520**

Email-pezooffice@leemac.com.au Web-www.leemac.com.au