

Leemac



MODEL : ISOLA 9SS

SPECIFICATIONS

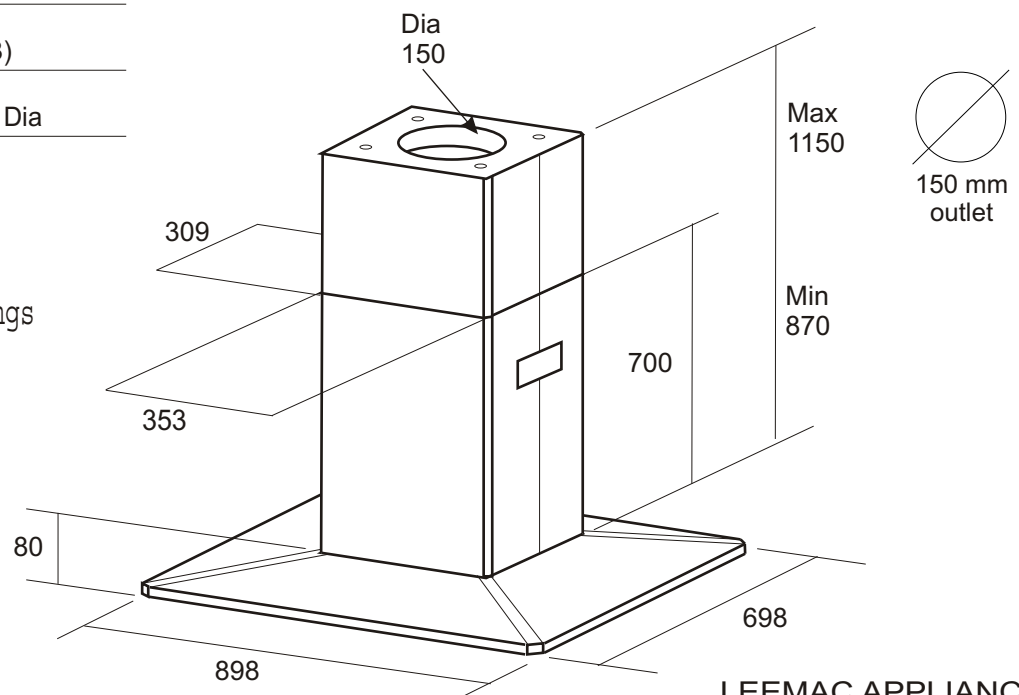
SPEED	3
AIRFLOW	970 m ³ /h
MOTOR ABSORPTION	210 Watts
LIGHTS HALOGEN	4 X 20 Watts
NOISE LEVEL	62 (dB)
DUCT SIZE	150 mm Dia

- * Stainless Steel
- * Aluminium filters (Dishwasher Safe)
- * 4 Halogen Lights
- * Drop out Motor System
- * 900 mm wide only Island Hood



ACCESSORIES

- Carbon Filters F-C 16
- EXT Flue for 10' ceilings



PH - 02 9674 9955
FAX - 02 9674 9055
Email-pezoffice@leemac.com.au Web-www.leemac.com.au

LEEMAC APPLIANCES
U28 / 14 - 16 STANTON ROAD
SEVEN HILLS NSW 2147
AUSTRALIA