

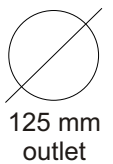
Leemac

MODEL : FS501 SERIES

SPECIFICATIONS

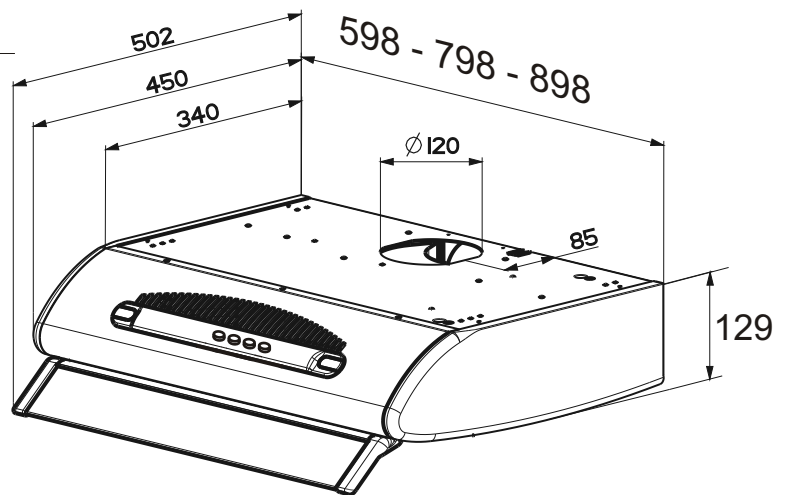
MOTORS	1	2
SPEED	3	3
AIRFLOW	350 m/3h	500 m/3h
MOTOR ABSORPTION	120 Watts	240 Watts
LIGHTS INCANDESCENT	2 X 40 Watts	
NOISE LEVEL	61.5 (dB)	
DUCT SIZE	125 mm Dia	

- * Stainless Steel & White
- * Aluminium filters (Dishwasher Safe)
- * Twin Incandescent Lights
- * Carbon Filters Fitted as standard
- * 600 mm wide (Stainless & White Single or Twin Motor)
- * 800 mm wide (Stainless only Twin Motor only)
- * 900 mm wide (Stainless & White Twin Motor only)



ACCESSORIES

- Carbon Filters F-C 17 (1 per Motor)
- EXT TELESCOPIC Duct Cover



LEEMAC APPLIANCES
 U28 / 14 - 16 STANTON ROAD
 SEVEN HILLS NSW 2147
 AUSTRALIA
 PH - 02 9674 9955
 FAX - 02 9674 9055

Email-pezooffice@leemac.com.au Web-www.leemac.com.au