

800mm



MODEL : FS501-2 SS800 SERIES

SPECIFICATIONS

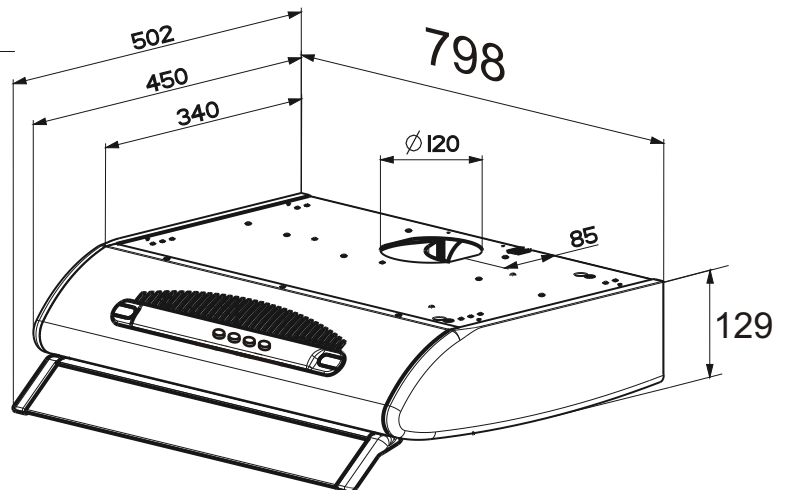
MOTORS	2
SPEED	3
AIRFLOW	500 m/3h
MOTOR ABSORPTION	240 Watts
LIGHTS HALOGEN SCREW IN	2 X 40 Watts
NOISE LEVEL	61.5 (dB)
DUCT SIZE	125 mm Dia

- * Stainless Steel & White
- * Aluminium filters (Dishwasher Safe)
- * Twin Halogen screw in Lights
- * Carbon Filters Fitted as standard
- * 800 mm wide (Stainless only Twin Motor only)



ACCESSORIES

- Carbon Filters F-C 17 (1 per Motor)
- EXT TELESCOPIC Duct Cover



LEEMAC APPLIANCES
U28 / 14 - 16 STANTON ROAD
SEVEN HILLS NSW 2147
AUSTRALIA
PH - 02 9674 9955
FAX - 02 9674 9055

Email-pezooffice@leemac.com.au Web-www.leemac.com.au