

Leemac



MODEL : CH7B SERIES

SPECIFICATIONS

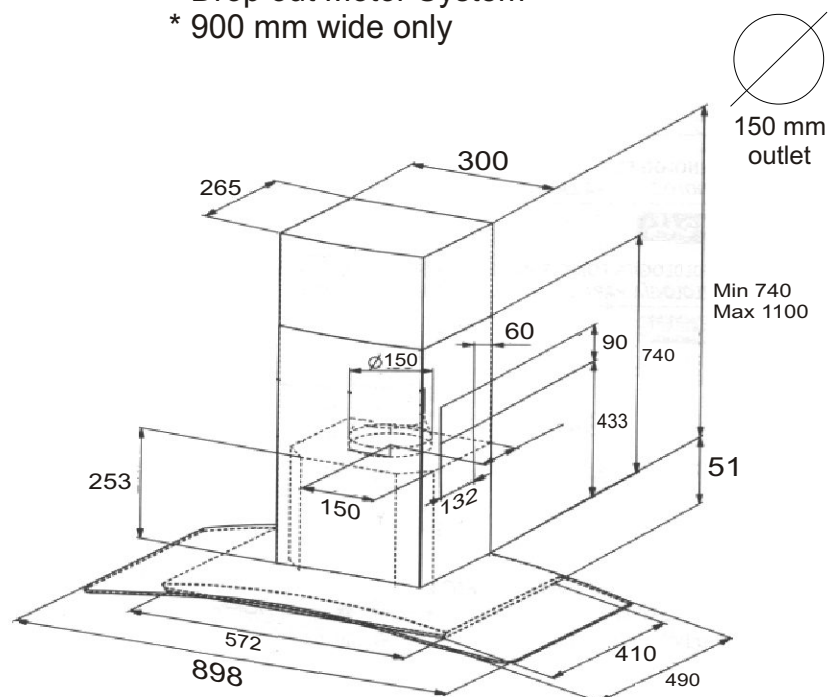
SPEED	3
AIRFLOW	970 m ³ /h
MOTOR ABSORPTION	210 Watts
LIGHTS HALOGEN	2 X 20 Watts
NOISE LEVEL	62 (dB)
DUCT SIZE	150 mm Dia

- * Stainless Steel & Glass
- * Baffle filters (Dishwasher Safe)
- * Twin Halogen Lights
- * Drop out Motor System
- * 900 mm wide only



ACCESSORIES

- Carbon Filters F-C 16
- EXT Flue for 10' ceilings



PH - 02 9674 9955
 FAX - 02 9674 9055
 Email-pezooffice@leemac.com.au Web-www.leemac.com.au

LEEMAC APPLIANCES
 U28 / 14 - 16 STANTON ROAD
 SEVEN HILLS NSW 2147
 AUSTRALIA