

Leemac

MODEL : CH6ESS900

SPECIFICATIONS

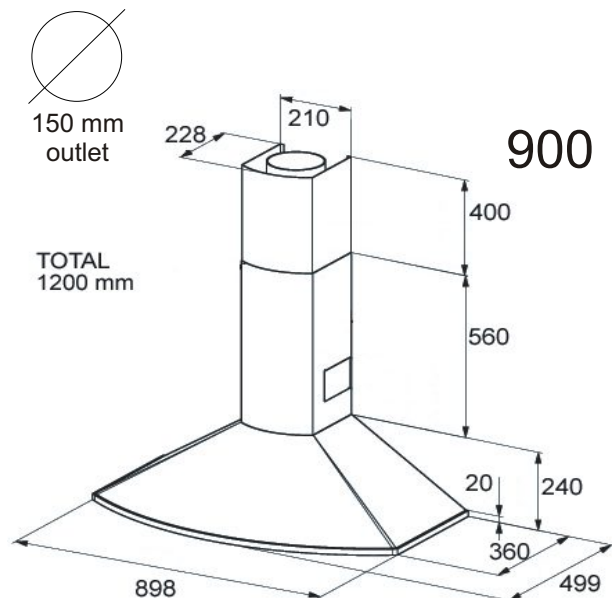
SPEED	4
AIRFLOW	970 m/3h
MOTOR ABSORPTION	210 Watts
LIGHTS HALOGEN	2 X 20 Watts
NOISE LEVEL	62 (dB)
DUCT SIZE	150 mm Dia

- * Stainless Steel
- * Aluminium filters
- * Twin Halogen Lights with Half Dim Function (Comfort)
- * 24 hour refresh system
- * Delay switch off function
- * Drop out Motor System
- * 900 mm wide

- Easy Dismount**
- High Powered Motor**
- Suitable For Wok Cooking**
- Easy Service**
- Delay**
- Comfort Light**
- 24 Hr Refresh**

ACCESSORIES

- Carbon Filters F-C 14 (TWIN PACK)
- EXT Flue for 10' ceilings
- Baffle Filters



LEEMAC APPLIANCES
 U28 / 14 - 16 STANTON ROAD
 SEVEN HILLS NSW 2147
 AUSTRALIA
 PH - 02 9674 9955
 FAX - 02 9674 9055

Email-pezooffice@leemac.com.au Web-www.leemac.com.au