

Leemac



MODEL : CH4F SERIES

SPECIFICATIONS

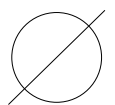
SPEED	3
AIRFLOW - NETT	470 m ³ /h
AIRFLOW - GROSS	500 m ³ /h
MOTOR ABSORPTION	150 Watts
LIGHTS HALOGEN	2 X 20 Watts
NOISE LEVEL	58 (dB)
DUCT SIZE	150 mm Dia

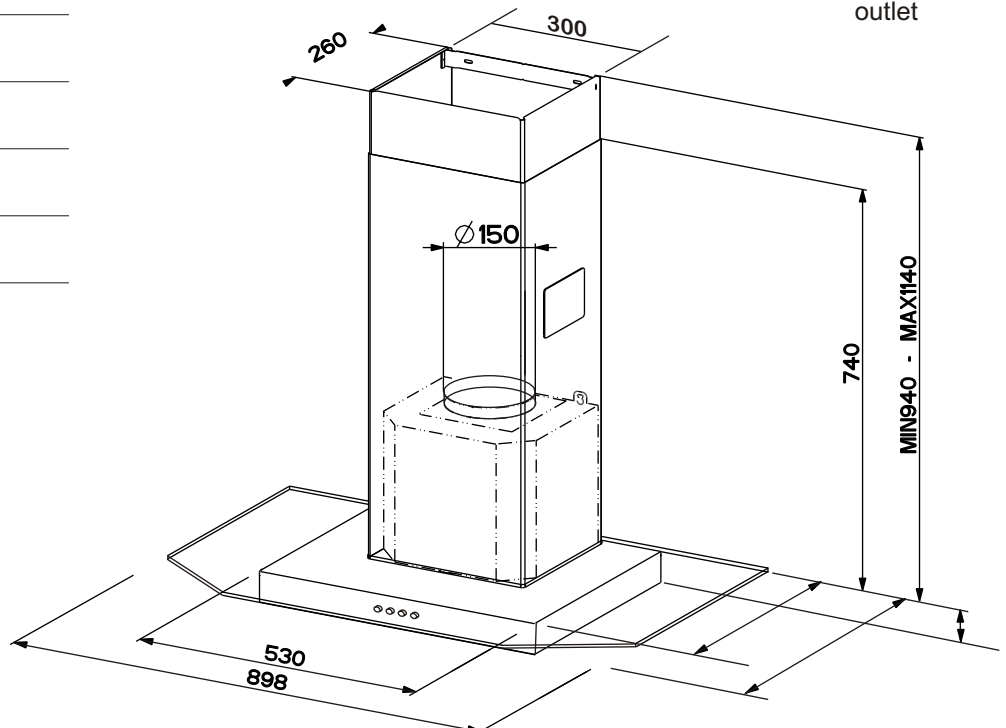
ACCESSORIES

- Carbon Filter
- Baffle Filter

- * Stainless Steel and Glass
- * Aluminium filters (Dishwasher Safe)
- * Twin Halogen Lights
- * Acoustic baffles for low noise
- * 900 mm wide only

Easy Dismount 
Easy Clean 


150 mm
outlet



PH - 02 9674 9955
FAX - 02 9674 9055
Email-pezooffice@leemac.com.au Web-www.leemac.com.au

LEEMAC APPLIANCES
U28 / 14 - 16 STANTON ROAD
SEVEN HILLS NSW 2147
AUSTRALIA