

Leemac



MODEL : CH3F SERIES

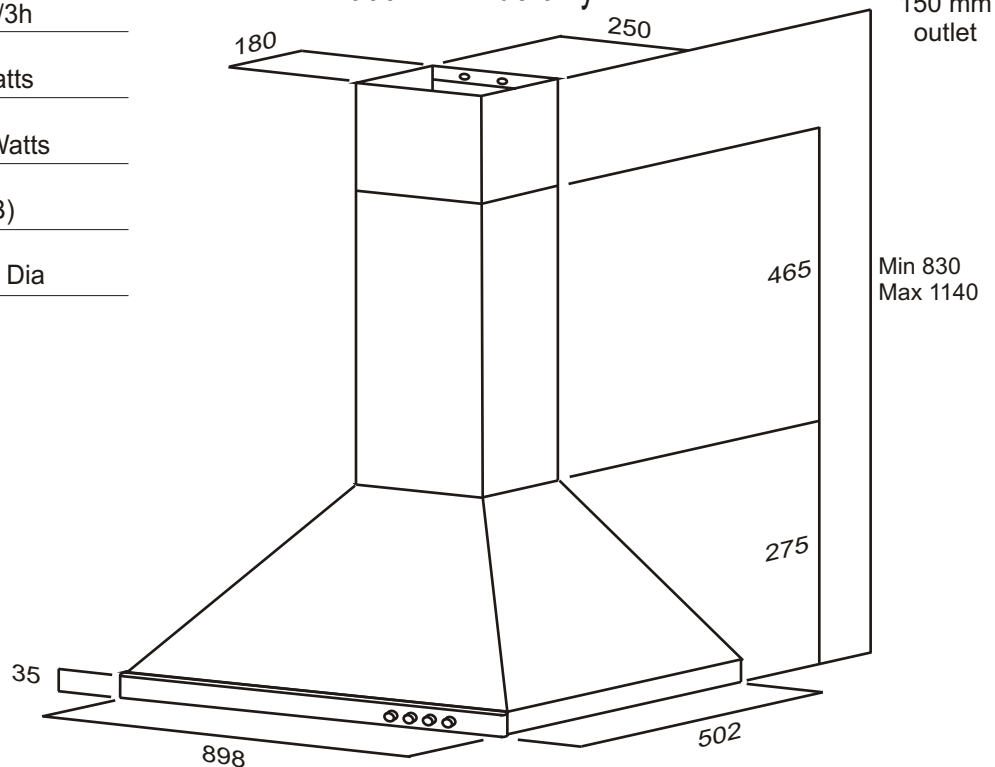
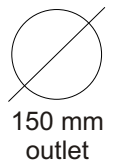
SPECIFICATIONS

| | |
|------------------|-----------------------|
| SPEED | 3 |
| AIRFLOW - NETT | 470 m ³ /h |
| AIRFLOW - GROSS | 500 m ³ /h |
| MOTOR ABSORPTION | 150 Watts |
| LIGHTS HALOGEN | 2 X 20 Watts |
| NOISE LEVEL | 59 (dB) |
| DUCT SIZE | 150 mm Dia |

ACCESSORIES

- Carbon Filters
- Baffle Filter

- * Stainless Steel
- * Aluminium filters (Dishwasher Safe)
- * Twin Halogen Lights
- * 900 mm wide only



PH - 02 9674 9955
FAX - 02 9674 9055
Email-pezooffice@leemac.com.au Web-www.leemac.com.au

LEEMAC APPLIANCES
U28 / 14 - 16 STANTON ROAD
SEVEN HILLS NSW 2147
AUSTRALIA